

Transmissive Light Large Flat-surface Light with a Opening

IFPA-D series

Large and high uniform flat-surface Light corresponding to camera imaging

Lineup 2 opening size depending on lens size



24V DC Specifications

Power LEDs

Low Cost

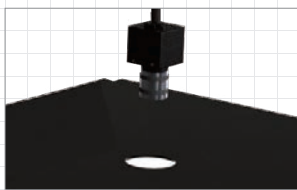
- Light emission surface size: from 200x100mm (minimum) to 500x500mm (maximum) in 100mm increments are available.
- 2 opening size: $\phi 35$ mm or $\phi 55$ mm, in the center of the light emission surface.
- Various customize is available
- Opening position: Can be changed in vertical and horizontal directions in units of 50mm from the center of the light emission surface.
- Connector position: The connector position can be changed to the short side or the long side.

Model	Light Color	Power Consumption (W)	Input Voltage	Power supply type	Power Supply	Drawing
IFPA-200/100□HV-(X1)D	R AW B	15	DC24V	A	[Power supply typeA] ILP-60M2-24(P.85)	1
IFPA-200/200□HV-(X1)D	R AW B	35		A		2
IFPA-300/100□HV-(X1)D	R AW B	25		A	IDGB-24 series(P.81) etc.	1
IFPA-300/200□HV-(X1)D	R AW B	55		A		4
IFPA-300/300□HV-(X1)D	R AW B	85		B	1	
IFPA-400/100□HV-(X1)D	R AW B	35		A	[Power supply typeB] IWDV-100S-24 (P.80)	3
IFPA-400/200□HV-(X1)D	R AW B	75		B		4
IFPA-400/300□HV-(X1)D	R AW B	115		C	[Power supply typeC] IWDV-300S-24 (P.80)	1
IFPA-400/400□HV-(X1)D	R AW B	155		C		3
IFPA-500/100□HV-(X1)D	R AW B	45		A	C	4
IFPA-500/200□HV-(X1)D	R AW B	95		B		1
IFPA-500/300□HV-(X1)D	R AW B	145		C		3
IFPA-500/400□HV-(X1)D	R AW B	195		C		4
IFPA-500/500□HV-(X1)D	R AW B	245		C		

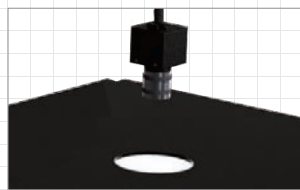
□ represents light color (R=Red, AW=White, B=Blue)
 *The X1 represents the opening diameter (35=35mm, 55=55mm).
 *Please use the extension cable which describe in the P.97 · 98 in case using the light less than 70W power consumption.
 *Light with more than 70W power consumption have metal connectors. For the lightings, use extension cables on P.97 (for DC24V light)

Lineup 2 opening size

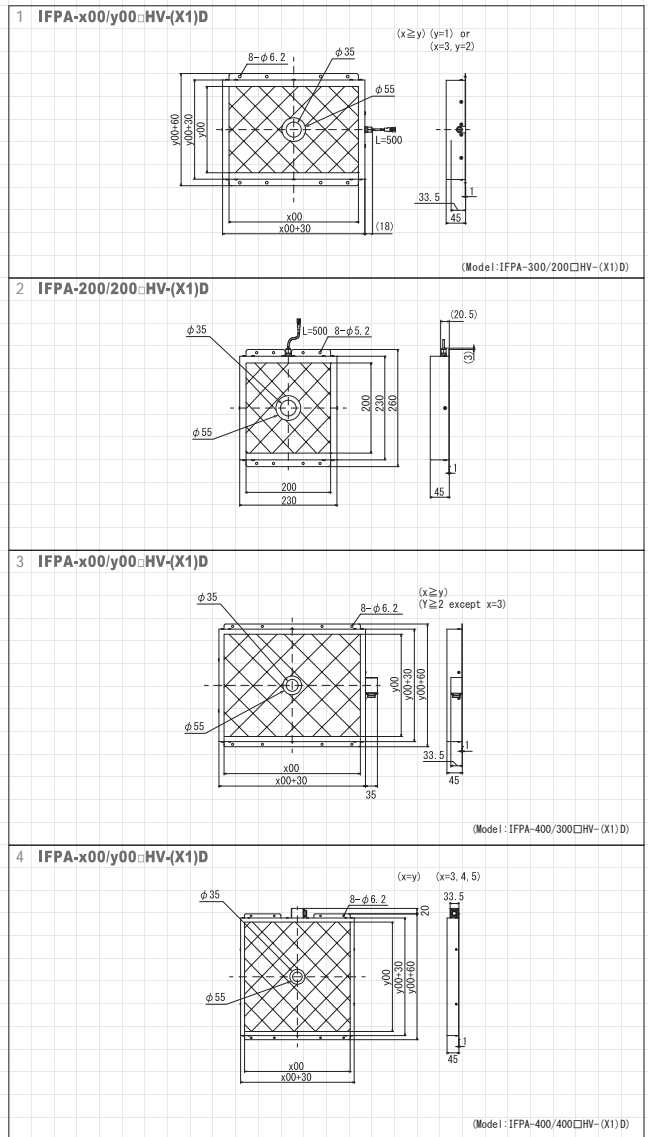
Lineup 2 opening size depending on lens size



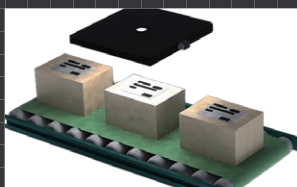
$\phi 35$ mm



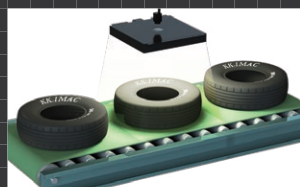
$\phi 55$ mm



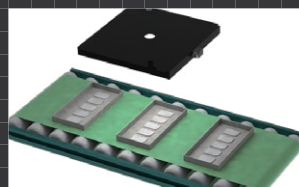
Effect Suitable for appearance inspection of large-sized objects



Inspection of printing/markings on large-sized objects



Appearance inspection of large-sized objects



Inspection of quantity in trays

